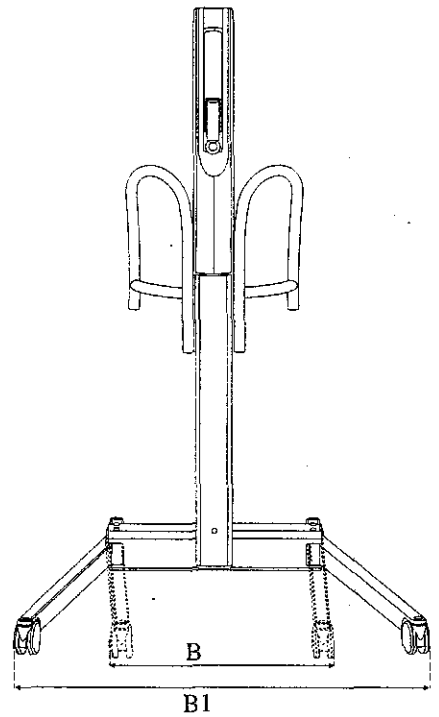
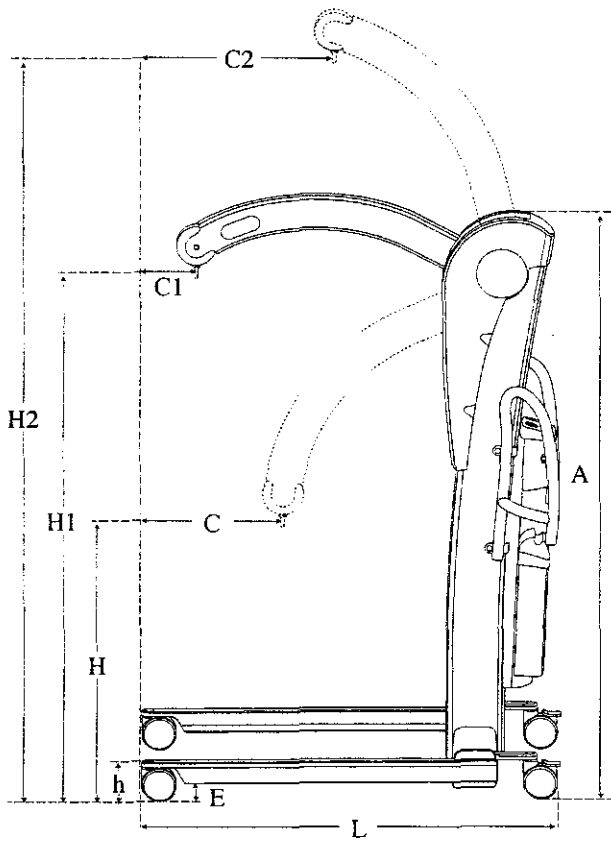


dimensions (in mm)

A	1725	H	775
B	635	H1	1530
B1	1100	H2	2240
C	440	h	120
C1	170	L	1230
C2	620		
E	54		



## 10. Technical specifications

Max. lifting capacity	225 kg
Emergency down	Mechanical
Emergency switch	present
Weight	58 kg
Weight of battery pack	6,2kg
Construction	aluminium; painted
Covers	ABS
Castors	ø 100 mm (rear castors with brake)
Motor/pump	24 Vdc, 13 A, 130 bar electric/hydraulic
Batteries	sealed and maintenance-free 2 x 12 Vdc; 6,5 - 7,2 Ah
Battery indication	Acoustic
Number of hoists with fully-charged batteries	160 at 90 kg / 50 cm
Charging	Type Mascot 9940 Input: 0.9 A 100 - 240 Vac 50 -60 Hz, class II Output: 24 Vdc Max 1.3 A
Charging time from signal	4 hours
Sound	dba
Protection rating	IPx0

### SPEEDS

Raising (unloaded)	6,9 cm/s
Lowering (unloaded)	6,3 cm/s
Raising (load 90 kg)	6,3 cm/s
Lowering (load 90 kg)	5,8 cm/s
Raising (load 225 kg)	4,5 cm/s
Lowering (load 225 kg)	5 cm/s
Open/close U-shaped castored base	2 s