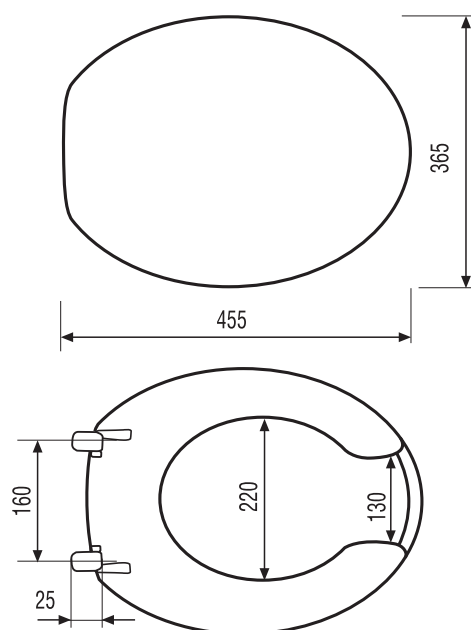


**SEDILI - SEATS**



**SCHEMA TECNICA**

Sedile **universale** con coperchio e apertura frontale.

Art.:

**500**

Misura/Size mm

**TECHNICAL DATA**

*Universal seat with cover and front opening.*