



CHINESPORT SPA
Via Croazia 2 – 33100 UDINE
(Italy)
Tel. ++39 0432 621621
Fax ++39 0432 621620
www.chinesport.com



BA No.: 02.06.083/01-12

User Instructions

Shower and Commode Stationary Chairs

<p>Commode Chair “Köln“ Art. No.: 01811 / 130 kg</p>
<p>Serial Number</p>

<p>Shower Chair “Zwickau“ Art. No.: 01815 / 130 kg</p>
<p>Serial Number</p>

<p>Shower & Commode Chair “Konstanz“ Art. No.: 01819 / 130 kg</p>
<p>Serial Number</p>

<p>Commode Chair “Kiel“ Art. No.: 01812 / 130 kg height-adjustable</p>
<p>Serial Number</p>

<p>Shower Chair “Würzburg“ Art. No.: 01816 / 130 kg height-adjustable</p>
<p>Serial Number</p>

<p>Shower & Commode Chair “Ulm“ Art. No.: 01820 / 130 kg height-adjustable</p>
<p>Serial Number</p>



Important advisories!

- Read this User Instructions **before first time** use of the chair and keep it at hand for the user.
- Adhere to all advisories, especially the safety advisories.
- Keep this User Instructions booklet at hand for future use and subsequent sales.

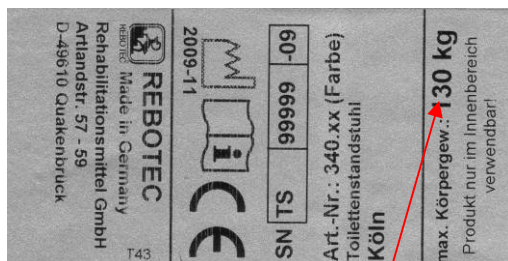
**Product description**

Kiel / Köln

Würzburg / Zwickau

**Chair picture shows:**

A	Backrest
B	Armrest (swingable)
C	Locking pins
D	Chair frame with braces
E	PUR seat with or without hygiene opening
F	Shower seat
G	Toilet seat
I	Leg caps
K	PUR seat cushion (removable)
R	PUR back cushion
T	Height adjustment-legs/seat height
V	Commode pan with lid
W	Pan receptacle
Z	Nameplate for product

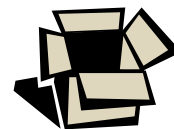
Nameplate (Z)-Example: Chair -Köln

Always observe allowable maximum patient body weight!

The name-plate is very important for product identification and thus must not be removed.

Table of Contents

1.	General advisories	3
1.1	Introduction	3
1.2	Intended proper use, advisories	3
1.3	Shower chair	3
1.4	Commode chair	3
1.5	Shower/Commode chair	3
2.	Warranty	3
3.	Spare parts orders, complaints	3
4.	Re-use, lifetime	3
5.	Disposal	3
6.	Symbol advisory	3
7.	Safety advisories, use	4
8.	Product specifications	4
8.1	Scope of delivery	4
8.2	Technical specifications	4
9.	Spare parts, accessories	5
10.	Setting up the chair for use	5
11.	Using the chair	5
11.1	Sitting down	5
11.2	Getting up	6
11.3	Swiveling the armrests outwards	6
11.4	Removing the seat	6
11.5	Removing the back cushion	6
11.6	Handling the commode pan	6
11.7	Adjusting the seat height	6
12.	Troubleshooting	7
13.	Care	7
14.	Maintenance	7
	Accessories	8



We recommend, if possible, keeping the packaging for later transport. This will allow secure packaging in the event of a return transport.



1. General advisories

1.1 Introduction

In these User Instructions you will find information and advisories for start-up, use, operation, maintenance and care of the shower/commode stationary chair.

1.2 Intended proper use, advisories

The shower/commode stationary chair is for household and out-patient purposes. The chair is to be used exclusively for assistance during showering or bathing and using a toilet inside buildings. It is not suitable for sitting on over a long period of time.



The chair is not suitable for use in wet areas (e.g. for saunas, areas with swimming pool-like conditions), as surface discoloration and adverse effects on the mechanical strength can result.

Store the chair only in a dry condition!

The chairs are made of a corrosion-resistant frame and tubes and four fixed legs. The armrests can be swivelled back. For some models, the seat height is adjustable to three levels, and the back rests are cushioned in addition.

Pay attention to the ambient conditions when using the chair. The chair may be used only for very short times in conditions that are outside the limits.



Ambient temperature: 0 – 40°C (104°F)
Relative humidity: 30% - 70%

1.3 Shower chair

The shower chair may be used where the use of or access to a conventional shower or bathtub is no longer possible due to patient physical limitations. The shower must be designed so that the chair is stable.

1.4 Commode chair

The commode chair may be used where the use of or access to a conventional toilet is no longer possible due to patient physical limitations. The seat surface has a toilet-like cut-out under which a toilet pan with a lid that can be pushed in.

1.5 Shower/Commode chair

A shower and commode chair is a combination of both applications.

2. Warranty

There is a **2-year warranty** on our shower and commode chairs. A prerequisite for the warranty is use in accordance to the requirements outlined herein, as well as conducting regular maintenance. Excluded are all wear parts. Not observing the User Instructions, improper maintenance, unauthorised modifications done to the product

without the manufacturer's permission automatically lead to the immediate nullification of warranty and product liability (see Maintenance).

The delivery date written on the delivery note applies as the valid start date of the warranty period.

3. Spare parts orders, complaints

To exclude incorrect spare parts deliveries and to ensure rapid processing of complaints, always provide the product name, serial number (SN) and the product's year of manufacture. You can find this information on the chair's nameplate.

4. Re-use, lifetime

The product is designed for re-use. The re-use (lifetime) depends on the product's condition.

Before re-use, maintenance of the chair must be conducted and the applicable instructions concerning safety care and maintenance must be fully adhered to.

The expected lifetime of the chair can be **up to 5 years** when used properly and the safety instructions, maintenance intervals and care instructions are followed.

Beyond this time period, the product can be used further if it is still in a safe condition (after a complete inspection).

5. Disposal

Products that can no longer be used are to be disposed of separately from regular household rubbish. This must be done according to the local and national regulations for environmental protection and raw material recycling. Please contact your local disposal company or officials for further information.

6. Symbol advisories

Symbol - nameplate



Read the User Instructions!



Product conforms to the Medical Products Directive 93/42/EEC



Year of Manuf. Product



Serial No Product

Symbols in the User Instructions:



Important advisory or information!



Language



Caution – Follow safety advisories!



Care



Maintenance



7. Safety advisories for use

When using the chair, the following safety advisories must be observed:



Danger of slipping!

- Before using, check to be sure the seat is securely pressed into the seat frame.
- When sitting down into the chair, the user must not sit on the front edge of the seat or seat cushion. Be sure the user sits all the way back on the seat



Danger of tipping over!

- The chair may be used when sitting only when the armrests are locked into position.
- The chair may be used only on solid, even surfaces.
- Do not lean out of the chair.
- For the height adjustable chair, follow the height adjustment instructions when adjusting the height.
- Adjust all four 4 chair legs to the same height.
- When adjusting the height of the chair, always observe the applicable instructions.
- Do not use the chair when the leg suction caps are worn!



Danger of breakage!

- **Never** attempt to carry or lift the chair while a patient is sitting in it.
- **The chair is suitable only for sitting on by persons. Be sure to observe the maximum allowable patient body weight (specified on the nameplate).**
- Never expose the chair to wide temperature variations. Observe the instructions concerning the temperature range of use (**see: 1.2**).
- Do not grab hold of or pull on attached objects, such as armrest cushions.



Danger of pinching!

- To prevent body parts or objects from getting pinched, never reach into the hinge area when turning the armrests up or down. Be sure to check that the hinge areas are unobstructed before moving the armrests!
- To prevent body parts from getting pinched, do not reach between the seat and the frame when pressing the seat into the seat frame.



Danger of falling!

- Sitting down, standing up and moving the patient should be supervised by a qualified care-worker, as to the health condition of the patient.
- Use of the chair by patients who do not have complete physical control and normal movement must be done with supervision.



Warning! Danger of Injury!

- At surface temperatures over 40°C (104°F), there's a risk of injury. Therefore do not expose the chair to any source of heat (exposure to the sun, storing near a heater, cleaning with hot water) just before the chair is used. Before using the chair, allow it to cool down.

8. Product specifications

8.1 Scope of delivery

The product has been carefully inspected in the factory for freedom of defects and for completeness. After having received it, carefully check over the product for possible transport damages and for completeness.

- 1 shower / commode chair
- 1 back-rest
- 1 seat
- 1 commode pan (optional)
- 1 back cushion (optional)
- 1 Allen wrench (optional)
- 1 User Instructions

8.2. Technical specifications

We reserve the right to make technical developments and improvements with respect to the design shown in the User Instructions.

Dimensions (ca.)	Köln	Kiel
A. height	101 cm	99-104 cm
B. width	57 cm	57 cm
C. depth	63 cm	63 cm
D. seat height	52 cm	51-56 cm
E. seat width	46 cm	46 cm
F. seat depth	45 cm	45 cm
G1. clearance*	44 cm	43-47 cm
G2. clearance*	48 cm	46-51 cm
Body weight	max. 130 kg	max. 130 kg
Product weight **	11.2 kg	11.2 kg
Dimensions (ca.)	Zwickau	Würzburg
A. height	101 cm	99-104 cm
B. width	57 cm	57 cm
C. depth	63 cm	63 cm
D. seat height	51 cm	50-55 cm
E. seat width	46 cm	46 cm
F. seat depth	45 cm	45 cm
G1 clearance*	43 cm	42-47 cm
G2 clearance*	48 cm	46-51 cm
Body weight	max. 130 kg	max. 130 kg
Product weight **	9.2 kg	9.2 kg

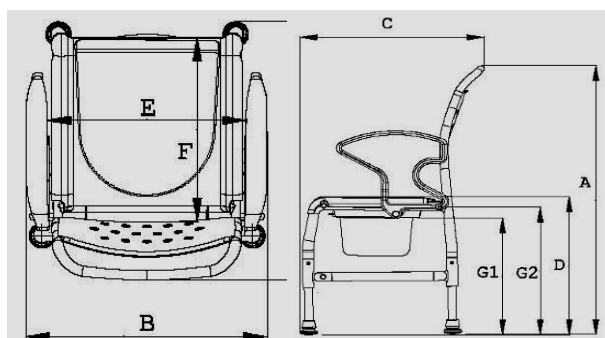


Dimensions (ca.)	Konstanz	Ulm
A. height	101 cm	99-104 cm
B. width	57 cm	57 cm
C. depth	63 cm	63 cm
D. seat height	54 cm	52-57 cm
E. seat width	46 cm	46 cm
F. seat depth	45 cm	45 cm
G1. clearance *	43 cm	41-46 cm
G2. clearance *	48 cm	46-51 cm
Body weight	max. 130 kg	max. 130 kg
Product weight **	11.8 kg	11.8 kg

* G1= with commode pan receptacle

* G2= without commode pan receptacle

** Figure: product weight without accessories



9. Spare parts, accessories

Article No.	Name
Spare parts list	
301.00	Commode pan with lid, grey
307. *	Comm. seat - Standard (2-pc.)
440. * .04	PUR seat with opening
440. * .62	PUR seat cover
169. * .30	Suction caps 30 mm
02.07.083	User Instructions
Accessories	
440. * .60	PUR back cushion, oval
440.10.32	PUR armrest cushion (1 piece)
02.10.071	Maintenance instructions - chairs

* Provide colour

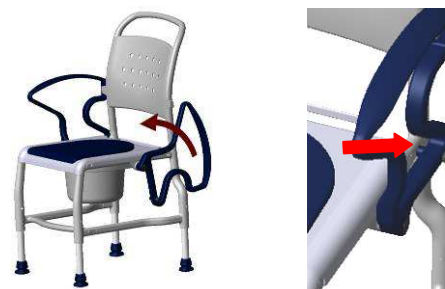
10. Setting up the chair for use

The product is delivered partially pre-assembled. The following assembly instructions must be carried out before first-time use:

- Swivel the armrests to the back, insert the backrest into the tubes of the chair frame and push it down until it hits the striker of the lower frame.



- Swivel the armrests forwards until they click into the slots of the backrest and the locking pins click into the lower frame. Be sure they are securely in place.



- For chairs with height adjustment, the seat height of the chair is set at its lowest position for delivery (Base setting). Adjust the height as necessary (see: 11.7).

11. Using the chair

When using the chair, the following points must be adhered to:

Before use it must be assured that the chair is in a proper condition for safe use. If possible, depending on the physical and strength limitations of the user (patient's ability to move and muscle strength), sitting down and getting up **should not be done without assistance from a care worker**. The chair may not be used for long patient transport times.

11.1 Sitting down

Before sitting down in the chair, be sure it is secured against slipping away (see: 11.9) and tipping over, that the armrests are locked into position, and that the shower/commode seat is properly mounted.

1



The patient should stand as closely as possible near the chair. He should then sit down slowly on the whole seat while supporting himself using both armrests

If this is not possible due to his physical limitations, then a care-worker must assist him. If necessary a patient lifter may have to be used.

2

**Caution – danger of falling!**

To prevent the patient from falling out of the chair, be sure the patient is seated completely on the chair, and not just on the edge.

Be sure he is leaned back against the seat back.

11.2 Getting up

Before getting up, be sure the chair is stable and secured against slipping away and tipping over, and that the armrests are locked in position.

The patient should then move his body forward until his feet are flat on the floor.

3



The patient must then place both hands on the armrests and slowly lift himself up.

The patient must not lean too far forwards, in order to avoid falling.

The patient should have the care worker assist him when getting up.

11.3 Swivelling the armrests outwards

By pulling out the locking pin, the locking mechanism is disengaged and the armrests may be swivelled back. When swivelling the armrests up, check to be sure that the armrests are properly seated in the locking position of the backrest and locked by the locking pin.

Check the locking mechanism on a regular basis for impaired function arising from calcium deposits, which can impair the movement.

11.4 Removing the shower / commode seat

The seat can be removed from its receptacles on the chair frame for the purpose of cleaning or exchanging simply by pulling it up.

11.5 Removing the seat back cushion

The back cushion is fastened to the cross-brace or backrest with studs. Press the buttons to remove the back cushion.

11.6 Handling the commode pan

Push the commode pan under the seat from behind the chair. To remove the pan, lift it up slightly and pull it out.

For the model with a 2-piece toilet seat, the commode pan can also be removed from above by lifting the seat and put back as well.

11.7 Adjusting the seat height

For adjusting the seat for the patient or for placing over a toilet, the chair models Würzburg, Ulm, Kiel are height adjustable.

The height-adjustment (2 stages: each 25 mm) is done through the 4 leg inserts in the chair frame.

**Danger of tipping over!**

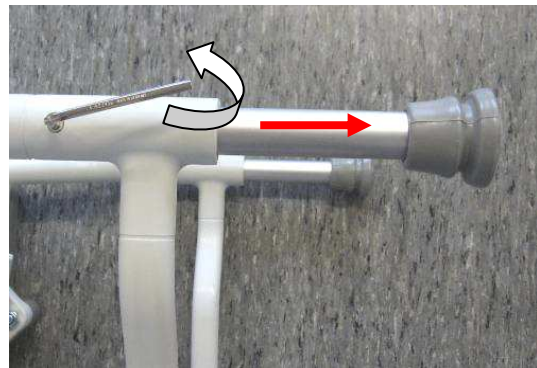
Be sure that all four chair legs are adjusted to the same height and that the screws are tightened by hand.

Step 1

To do the adjustment, we recommend laying the chair on its side. First remove the commode pan (if at hand) and the seat unit.

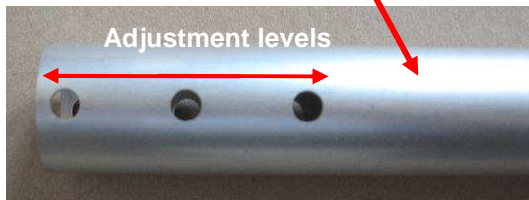
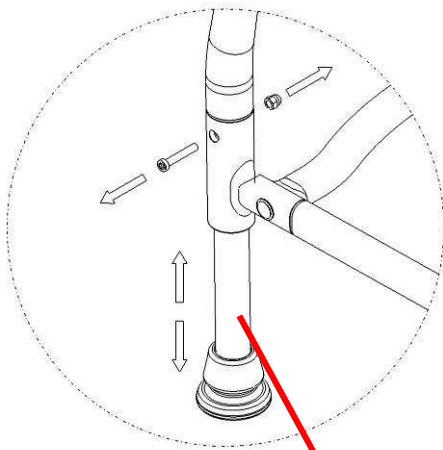
**Step 2**

Using an (SW 5) Allen wrench, completely remove the screws (LH rotation) in the frame. When loosening the screws, press against the locking nut (underside).

**Step 3**

Pull the leg out or push it in until the hole lines up with the next adjustment position.

Using the locking nut, screw the leg (right hand rotation) until tight (back side).



Clean the chair before re-using (see care instructions).

12. Troubleshooting

Fault	Poss. cause	Correction
Armrests do not swivel properly	Locking pins are caked up with deposits	Clean, check periodically
Locking pins cannot be pulled out	Caked up, tension spring is jammed or defective	Clean, replace locking pin
Chair rocks	Suction caps are worn or damaged	Replace suction caps (always in pairs!)
Chair rocks	Legs are not set at equal heights	Check heights and adjust as necessary
Adjustable legs are jammed.	Calcium deposits, gumming up	Pull out legs and clean
Chair frame too unstable	Screws are loose	Tighten frame and castor screws
Chair frame or other parts are defective	Overloading, wear	See maintenance!

13. Care



In general the chair can be cleaned using a mild conventional cleaning and disinfecting agent. Next simply wipe the chair with clean water and cloth, and then wipe dry with a clean cloth.

Do not use an abrasive scouring agent or cleaner (read the product instructions!) that contain aggressive solvents (acids, thinners). Do not use stiff cleaning brushes, as these will damage the plastic surfaces or cause deposits to build up on the plastic parts and other materials.

When using the product in a clinical area, the shower/commode chair must be cleaned on a regular basis at 85°C for 3 minutes in a cleaning machine, in addition to general cleaning. First remove any loose accessories.

14. Maintenance

The cause of accidents or damage may be due to the late detection of wear and/or improper use, as well as irregular maintenance.



For safety reasons and for preventing accidents, the chair must undergo a **complete maintenance at least once a year.** (Refer to the Medical Products Act and local the MPBetreibV))

For documenting maintenance, REBOTEC supplies a Maintenance Book – Chairs (see: 9.). Here you will find information on maintenance and forms for documentation. You can order these User instructions or download via our website at www.rebotec.de.

Maintenance extent

Check at regular time intervals:

The intervals depend on the frequency the product is used and on the condition of the product.

- Check for apparent damage: (cracks, fractures, loose parts).
- All screwed connections for tightness (especially the frame).
- Function of the armrests and locking pins.
- Check accessories for defects.



If you have questions concerning maintenance and repairs to the chair, then contact an authorized dealer or medical equipment supply outlet.

When making repairs, use only original spare parts from REBOTEC. Observe all advisories concerning guarantee and warranty.



Never make any unauthorized modifications or conversions to the chair. These will only adversely affect the safety and function of the chair.

In such cases manufacturer overtakes no liability!

Follow all the instructions when ordering spare parts, re-use and product lifetime of the chair. After a complete maintenance or repair of the chair is done, we recommend a complete cleaning for assuring hygiene. Follow the cleaning instructions.

Accessories

Armrest cushion

Armrest cushions can be clamped onto the armrests, retroactively, on both the right and left sides. The armrest cushion allows better handling when administering infusions or taking blood samples. (Weight: 0.250 kg).



Manufacturer:

REBOTEC® Rehabilitationsmittel GmbH

DE-49610 Quakenbrück, Artlandstr. 57-59

Telephone: (+49) 5431/9416-0

Telefax: (+49) 5431/9416-66

<http://www.rebotec.de>

E-mail: info@rebotec.de

