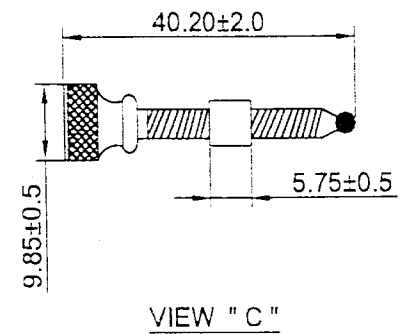


SIDE ELEVATION  
NO.2



NOTES:-  
1. ALL DIMENSION ARE IN  
MILLIMETERS. UNLESS  
OTHERWISE NOTED.

DRAWN BY: ANJUM

TITLE :-

*[Handwritten Signature]*

VOLTOLINI NASAL SPECULUM NO.2

APPROVED BY Q. A. MANAGER

MASTER NUMBER

DATE: 16/07/2002

CODE #: 26774

SCALE : 1:1

OWNED BY:-

REVISION #:1

REVISION #2 \*

REVISION #:3

**D 68**

